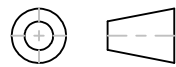


THIRD ANGLE PROJECTION

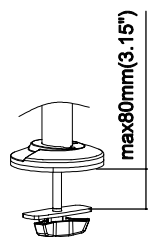
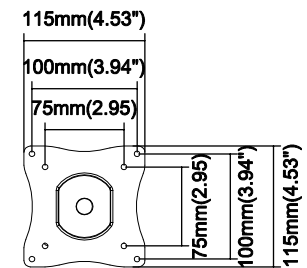
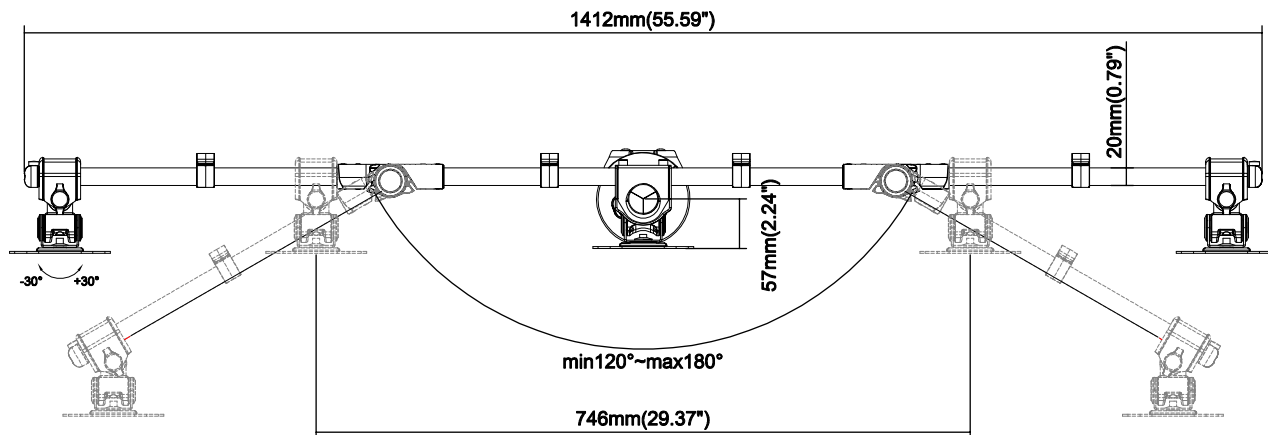
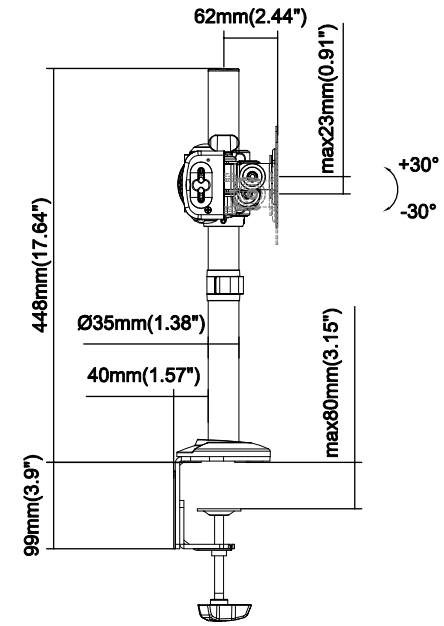
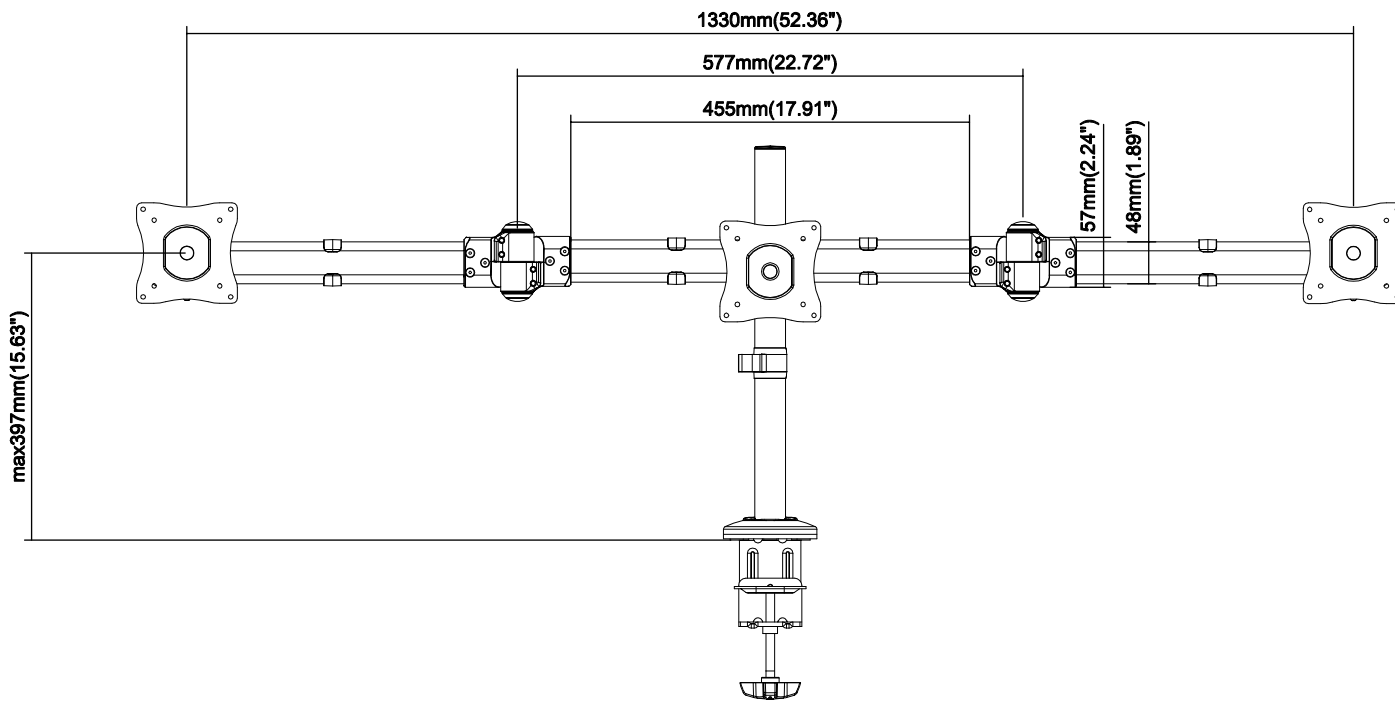


GENERAL NOTES

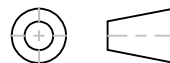
DIMENSIONS ARE IN MM - DO NOT SCALE
 THIS DOCUMENT CONTAINS CONFIDENTIAL, PROPRIETARY INFORMATION THAT IS PROPERTY OF STARTECH.COM

StarTech.com

PRODUCT ID	ARMTRIO
DESCRIPTION	Desk Mount Triple Monitor Arm - Ergonomic VESA 3 Monitor Mount up to 27" - Articulating & Height Adjustable Pole Mount - Tilt/Swivel/Rotate LCD/LED Screen - Desk Clamp/Grommet
DO NOT SCALE	SHEET: 1 OF 2
UPLOAD DATE: 04/01/2020	



THIRD ANGLE PROJECTION



GENERAL NOTES

DIMENSIONS ARE IN MM - DO NOT SCALE
 THIS DOCUMENT CONTAINS CONFIDENTIAL, PROPRIETARY INFORMATION THAT IS PROPERTY OF STARTECH.COM

StarTech.com

PRODUCT ID	ARMTRIO
DESCRIPTION	Desk Mount Triple Monitor Arm - Ergonomic VESA 3 Monitor Mount up to 27" - Articulating & Height Adjustable Pole Mount - Tilt/Swivel/Rotate LCD/LED Screen - Desk Clamp/Grommet
DO NOT SCALE	SHEET: 2 OF: 2
	UPLOAD DATE: 04/01/2020